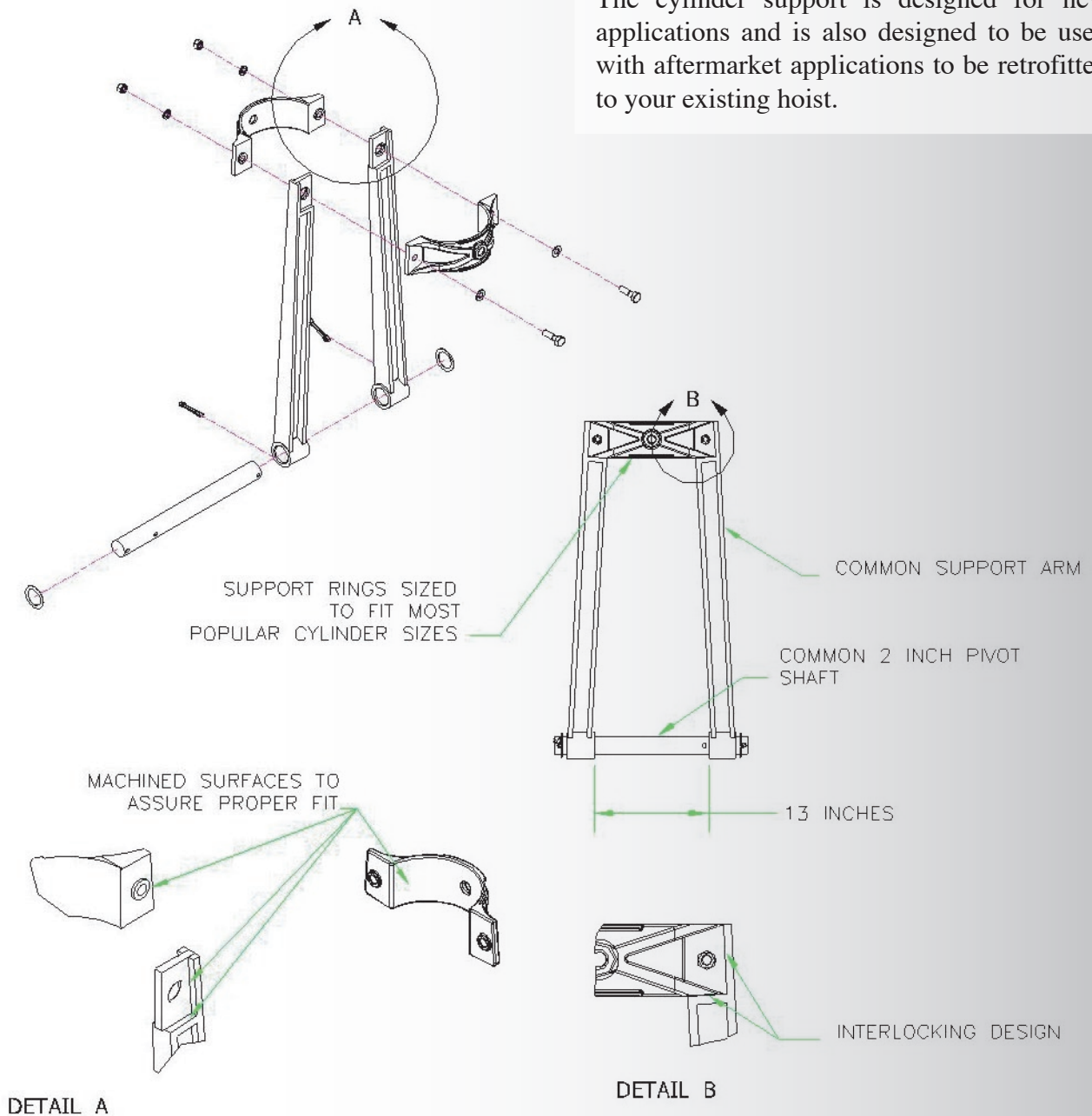


Telescopic support

This cylinder support is designed to fit most all telescopic cylinders including the three major brands.

The cylinder support is designed for new applications and is also designed to be used with aftermarket applications to be retrofitted to your existing hoist.



When ordering specify the make and model of your cylinder.

Champion Hoist and Equipment™
200 Champion Drive
Dunn, NC 28334
(910) 897-4995 Fax (910) 897-7306